

# YUR.POWER

## A-P220

### Multicrystalline Solar Panels

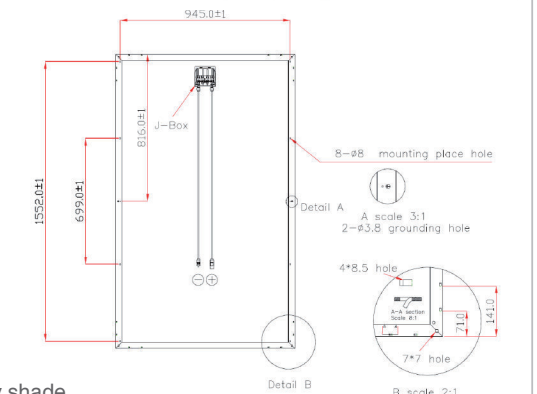
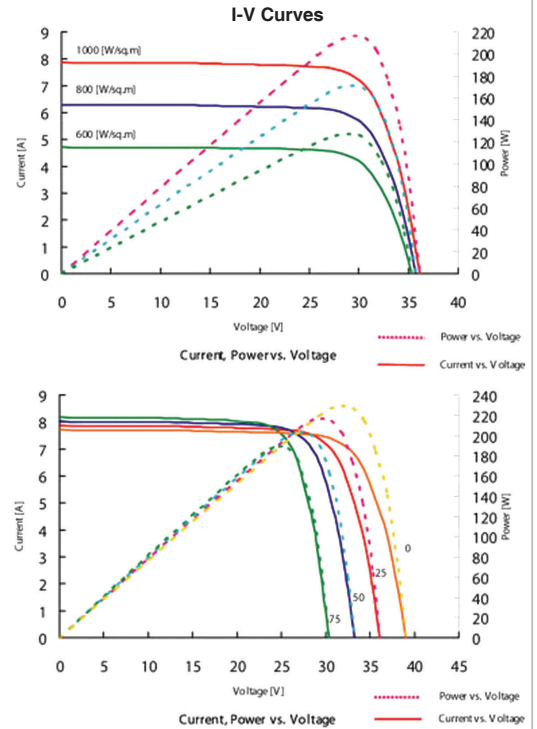
#### Specifications

• <b>Panel Type</b>	220 Wp Multicrystalline silicon photovoltaic module
• <b>Maximum Power (Pmax)</b>	220 W
• <b>Voltage @ Pmax (Vpm)</b>	29,14 V
• <b>Current @ Pmax (Ipm)</b>	7,548 A
• <b>Open Circuit Voltage (Voc)</b>	36,46 V
• <b>Short Circuit Current (Isc)</b>	8,19 A
• <b>Output Tolerance</b>	± 3 %
• <b>Maximum System Voltage</b>	1000 Vdc
• <b>Series fuse rating</b>	10 A
• <b>Application</b>	DC 24V system
• <b>Efficiency of module</b>	13,5 %
• <b>Temperature Coefficients of Pmax (%)</b>	-0,37 % /°C
• <b>Temperature Coefficients of Voc (%)</b>	-0,32 % /°C
• <b>Temperature Coefficients of Isc (%)</b>	+0,038 % /°C
• <b>NOCT (Nominal Operating Cell Temp)</b>	44,8 °C
• <b>Operating Temperature</b>	-40 to +85 °C
• <b>Storage Temperature</b>	-40 to +85 °C
• <b>System Cell</b>	6" Multicrystalline silicon
• <b>No. of cells &amp; connections</b>	60 pcs in series (6x10)
• <b>Module Size (WxLxH)</b>	1632 x 995 x 50 mm
• <b>Weight</b>	Approximately 20,43 Kg
• <b>Packing configuration</b>	Horizontal
• <b>Size of carton</b>	1689 x 1071 x 955 mm
• <b>Pallet quantity</b>	18 pcs / pallet
• <b>Container Load (20ft/40ft)</b>	12 pallets / 28 pallets

#### Construction

• <b>Front</b>	High transmission low-iron tempered glass (3,2 mm)
• <b>Back</b>	PET / PET / PVF
• <b>Encapsulates</b>	EVA
• <b>Junction Box Type</b>	IP65, waterproof
• <b>Bypass Diodes</b>	3 diodes to avoid power decreasing by shade
• <b>Output cable</b>	4 mm <sup>2</sup> cable with polarized waterproof tyco connectors (Negative 900 mm, Positive 900 mm)
• <b>Frame (Material, Corners, etc)</b>	Clear anodized aluminium, AL6063-T5
• <b>Certification</b>	IEC 61215 : 2005 + EN 61730-1 / EN 61730-2 : 2007

measured at STC (Standard Test Condition; 1000 W/m<sup>2</sup> irradiance, AM 1.5G and 25 °C)



**Warranty Notice:** 5 years on materials. 10 years of 90 % output, 25 years of 80 % output

**EAN :** TBA

**Yuraku Pte Ltd**  
11 Collyer Quay,  
#10-04 The Arcade, Singapore 049 317  
Tel: +65 6238 2158  
Fax: +65 6238 0076  
Website: www.yuraku.com.sg

**Yuraku S.r.l**  
Via Fratelli Rosselli 3/2  
20019 Settimo Milanese (MILANO) Italy  
Tel: +39 02 3351 4444  
Fax: +39 02 3359 0580  
Website: www.yuraku.it

**Yuraku, SL**  
C/Florida Nº 1 (nave 4) Pol. Ind. Villapark  
28670 – Villaviciosa de Odón – Madrid – España  
Tel: +34 91 665 7423  
Fax: +34 91 616 6324  
Website: www.yuraku.es

create >> excite >> inspire

Terms and Specifications are subjected to change without notice.  
©2011 YURAKU PTE LTD